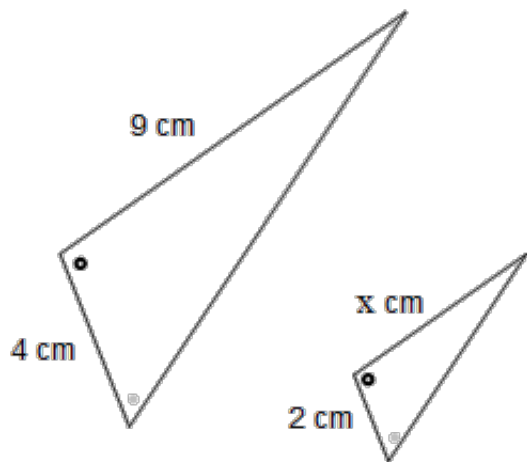
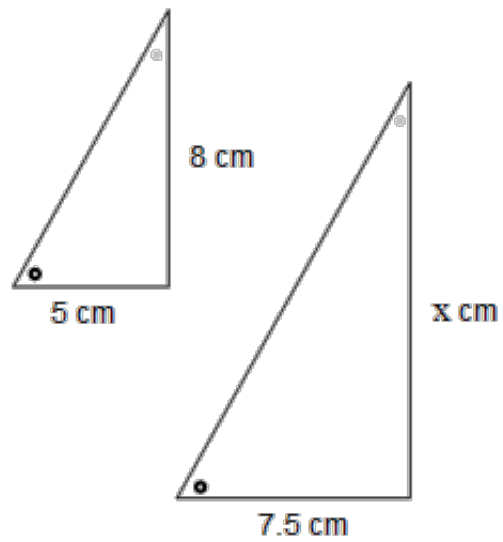


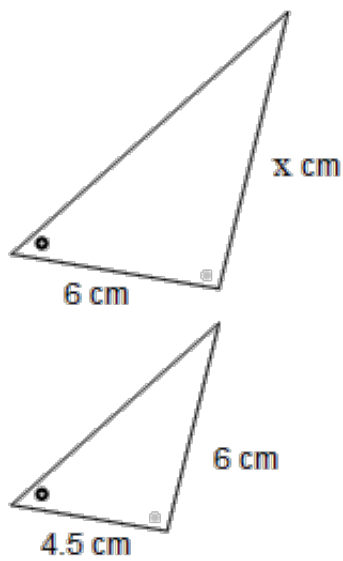
Write the *scale factors* and *values for x* for the pairs of similar triangles below.



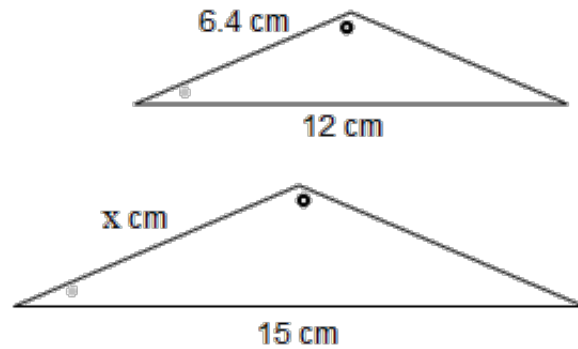
Scale Factor:  $\frac{\quad}{\quad}$   $x = \quad$



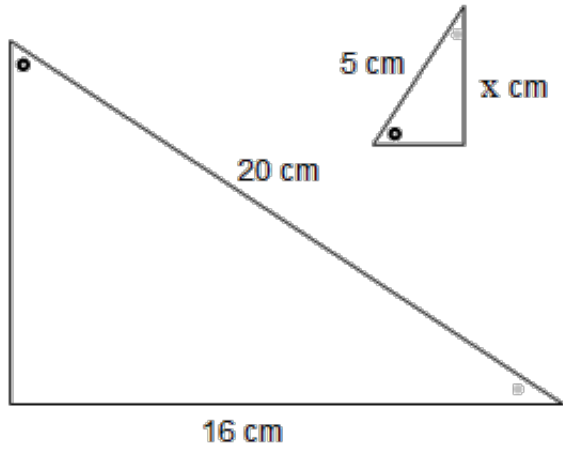
Scale Factor:  $\frac{\quad}{\quad}$   $x = \quad$



Scale Factor:  $\frac{\quad}{\quad}$   $x = \quad$



Scale Factor:  $\frac{\quad}{\quad}$   $x = \quad$

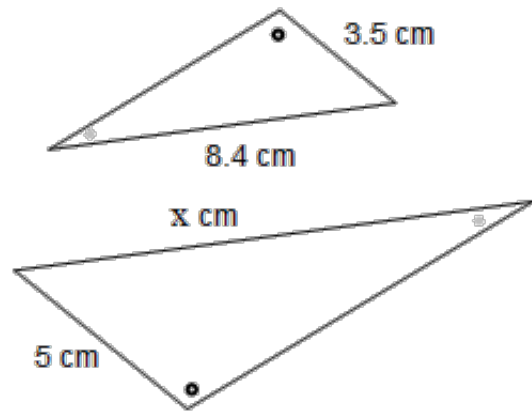


Scale Factor: \_\_\_\_\_ x = \_\_\_\_\_



This work is licensed under a

[Creative Commons Attribution-ShareAlike 3.0 License](https://creativecommons.org/licenses/by-sa/3.0/)



Scale Factor: \_\_\_\_\_ x = \_\_\_\_\_